

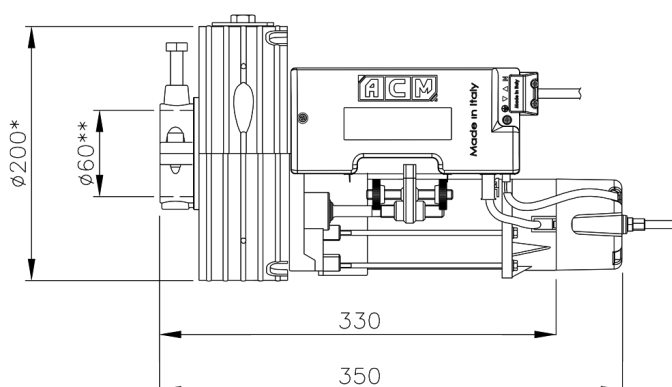
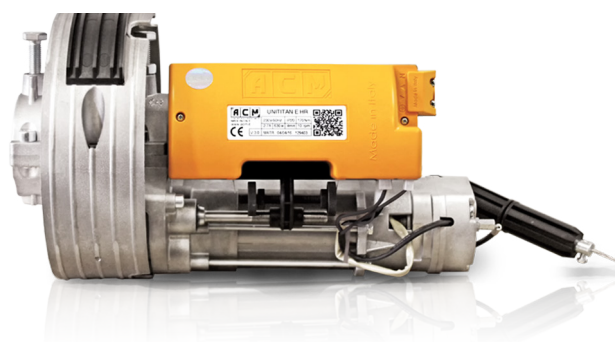


Rolling Shutter

Residential

 **BIOROL** S.A.

ACM UNITITAN E-HR



UNITITAN E-HR - Specifications

Torque	Limit Switch	P	I	Weight	Lifting	Tube	Pulley
170 Nm	6	630 W	2,7 A	8 kg	170 kg	Ø 60	Ø200

Works with:

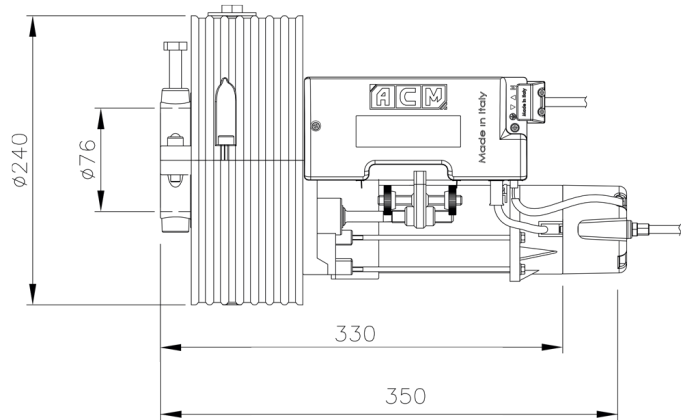
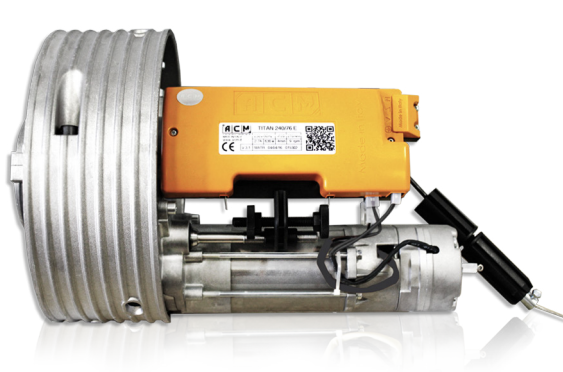


V2 EASY2



BENINCA DIL

ACM TITAN240E



ACM TITAN 240E - Specifications

Torque	Limit Switch	P	I	Weight	Lifting	Tube	Pulley
210 Nm	6	630 W	2,7 A	9 kg	180 kg	Ø 76	Ø240

Works with:

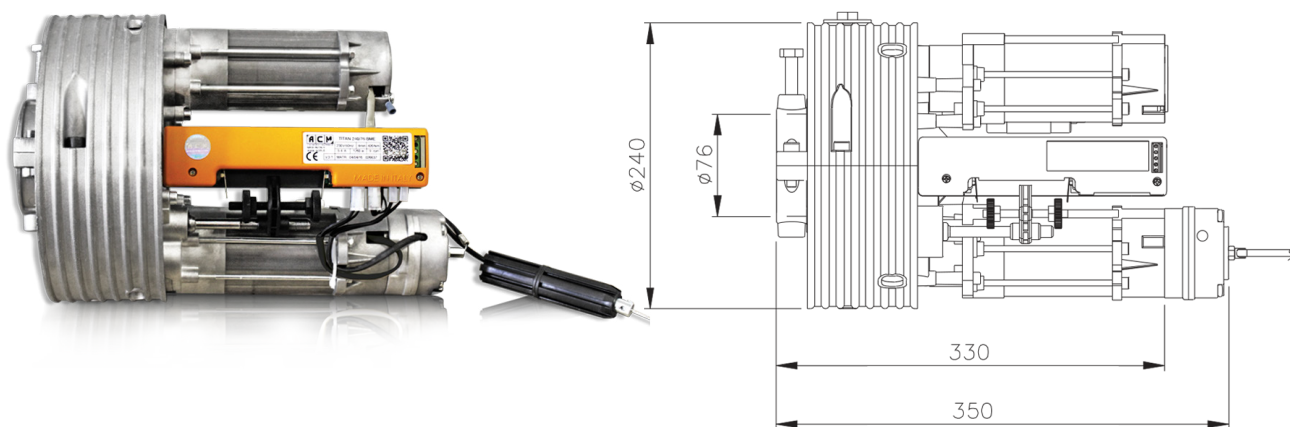


V2 EASY2



BENINCA DIL

ACM TITAN240BME



ACM TITAN 240BME - Specifications

Torque	Limit Switch	P	I	Weight	Lifting	Tube	Pulley
400 Nm	6	1260 W	5,4 A	17 kg	360 kg	$\varnothing 76$	$\varnothing 240$

Works with:



V2 EASY2



BENINCA DIL

NORTON 60 K 160 FR



NORTON 60 K 160 FR - Specifications

Power Supply	230 Vac 50/60 Hz
Electric Motor	1400 rpm
Current	2,2 A
Motor Power	400 W
Capacitor	18 µf
Lifting Power	130 Kg

Couple	130 Nm
Crown Speed	10 rpm/min
Thermal Protection	5 min
Operating temperature	-20°C + 80°C
Motor Weight	8 Kg
Motor Dimensions	200/220 x 370mm

Crown Motor	Ø 200/220mm
Shutter Tube	Ø 60/48/42mm
Shutter Height	7 m
Electrobrake motor	✓
Crown Scratchproof	✗

Works with:

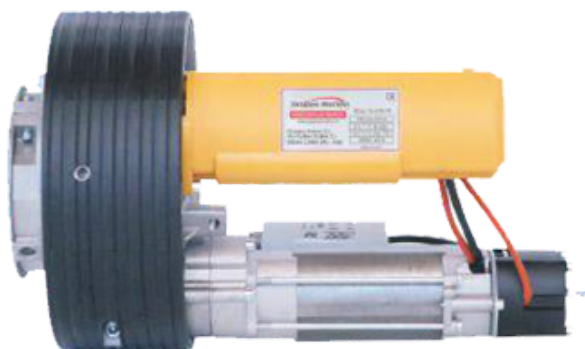


V2 EASY2



BENINCA DIL

NORTON 76-240 FR



NORTON 76-240 FR - Specifications

Power Supply	230 Vac 50/60 Hz
Electric Motor	1400 rpm
Current	2,8 A
Motor Power	670 W
Capacitor	25 µf
Lifting Power	190 Kg

Couple	220 Nm
Crown Speed	10 rpm/min
Thermal Protection	5 min
Operating temperature	-20°C + 80°C
Motor Weight	10,2 Kg
Motor Dimensions	240/280 x 370mm

Crown Motor	Ø 240/280mm
Shutter Tube	Ø 76/101mm
Shutter Height	7 m
Electrobrake motor	✓
Crown Scratchproof	✓

Works with:

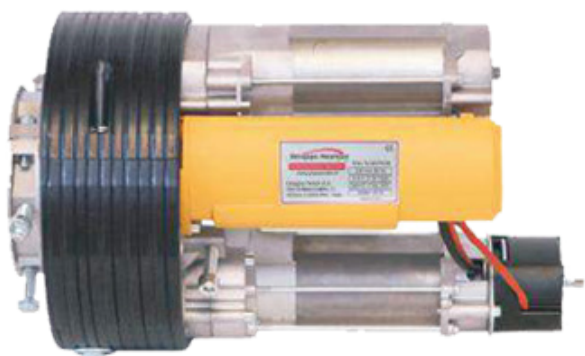


V2 EASY2



BENINCA DIL

NORTON 76-240 2M FR



NORTON 76-240 2M FR - Specifications

Power Supply	230 Vac 50/60 Hz
Electric Motor	2 x 1400 rpm
Current	5,4 A
Motor Power	2 x 670 W
Capacitor	40 µf
Lifting Power	360 Kg

Couple	420 Nm
Crown Speed	10 rpm/min
Thermal Protection	5 min
Operating temperature	-20°C + 80°C
Motor Weight	14,2 Kg
Motor Dimensions	240/280 x 370mm

Crown Motor	Ø 240/280mm
Shutter Tube	Ø 76/101mm
Shutter Height	7 m
Electrobrake motor	✓
Crown Scratchproof	✓

Works with:



V2 EASY2



BENINCA DIL

CAB SR1.60E



Innovative technical solutions
The new high-performance technopolymer flange permits a better distribution of the radial load. Compared with the bearings version, it can support very high axial loads and it is extremely reliable even in situations where installation is difficult or not perfectly balanced.

CAB SR1.60E - Specifications

Motor voltage supply	230 Vac 50/60 Hz
Max absorbed current	3,1 A
Absorbed power	690 W
Max. Torque	170 Nm
Capacitor	20 µf
Max shutter stroke	8 b

Max Shutter weight	170 kg
Shaft diameter	Ø 60 mm
Pulley diameter	Ø 200/220 mm
Lubrication	Grease
Weight	5,4 kg
Electric Brakes	✓

Works with:

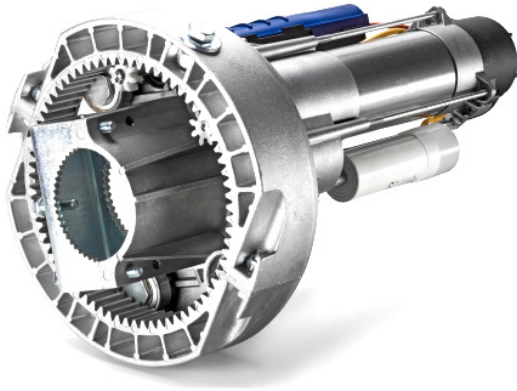


V2 EASY2



BENINCA DIL

CAB SR1.76E



Consolidated design choices.
Robust and resistant thanks
to the metal ball bearings.

CAB SR1.76E - Specifications

Motor voltage supply	230 Vac 50/60 Hz	Opening speed without load	8,4 rpm	Max Shutter weight	180 kg
Max absorbed current	3,23 A	Limit Switch	Automatic	Shaft diameter	Ø 76 mm
Absorbed power	786 W	Operating temperature	-20°C /+ 50°C	Pulley diameter	Ø 240 mm
Max. Torque	212 Nm	Protection Level	IP X0	Lubrication	Grease
Capacitor	25 µf	Electric Motor Insulation Class	F	Weight	7 kg
Max shutter stroke	8 b	Max Shutter size	22 m²	Electric Brakes	✓

Works with:

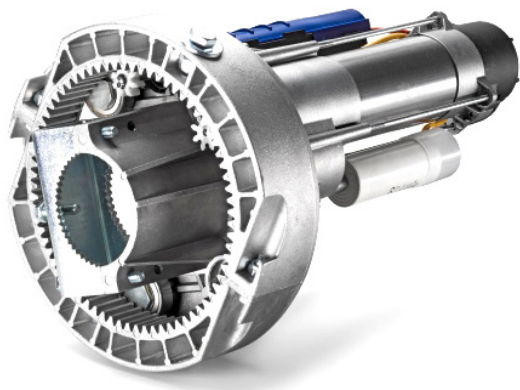


V2 EASY2



BENINCA DIL

CAB SR1.101E



Consolidated design choices.
Robust and resistant thanks
to the metal ball bearings.

CAB SR1.101E - Specifications

Motor voltage supply	230 Vac 50/60 Hz	Opening speed without load	8 rpm	Max Shutter weight	220 kg
Max absorbed current	3,15 A	Limit Switch	Automatic	Shaft diameter	Ø 101.6 mm
Absorbed power	725 W	Operating temperature	-20°C /+ 50°C	Pulley diameter	Ø 240/280 mm
Max. Torque	270 Nm	Protection Level	IP X0	Lubrication	Grease
Capacitor	20 µf	Max Shutter size	22m²	Weight	200 kg
				Electric Brakes	✓

Works with:



V2 EASY2



BENINCA DIL

