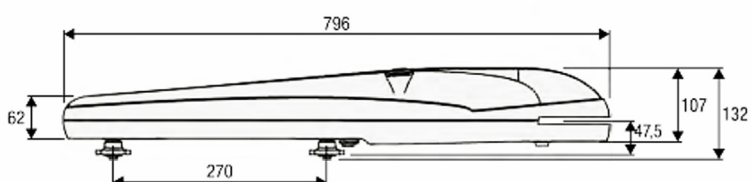
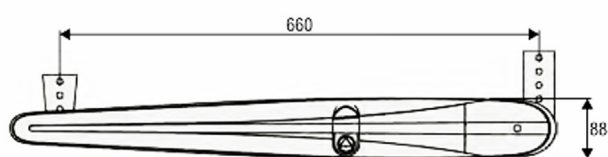




# Swinging Door

# BOB21M



## KIT:

- 2 x BOB21M
- Control Unit HEADY
- Transmitter TO.GO 2VA

## BOB21M - Specifications

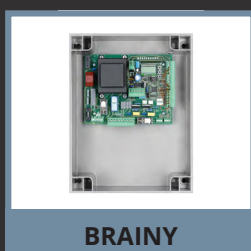
Reliable, quiet, and quick to install geared motor, thanks to its 2 adjustable mechanical stops for opening and closing. Available in the 230 Vac and 24 Vdc versions. Rolled ball screws Ø 20 mm. Easy access release from above.

Power supply	<b>230 Vac</b> <b>50/60 Hz</b>
Motor supply	<b>230 Vac</b>
Max absorbed current	<b>1.5 A</b>
Max Thrust	<b>1800 N</b>
Opening time	<b>18"</b>

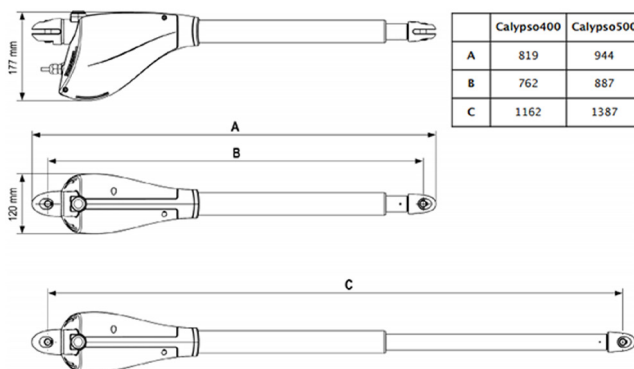
Operation cycle	<b>30%</b>
Standard stroke	<b>270 mm</b>
Max stroke	<b>325 mm</b>
Protection level	<b>IP 44</b>

Encoder	<b>NO</b>
Operating temperature	<b>-20°C / +50°C</b>
Leaf max dimension	<b>2.1 m</b>
Weight	<b>8.2 kg</b>

Works with:



# CALYPSO



## KIT:

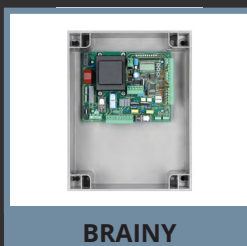
- 2 x CALYPSO 400
- Control Unit FLEXY2
- Transmitter V2 PHOX 2

## CALYPSO - Specifications

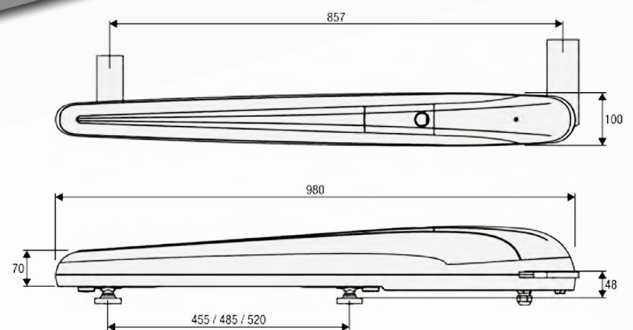
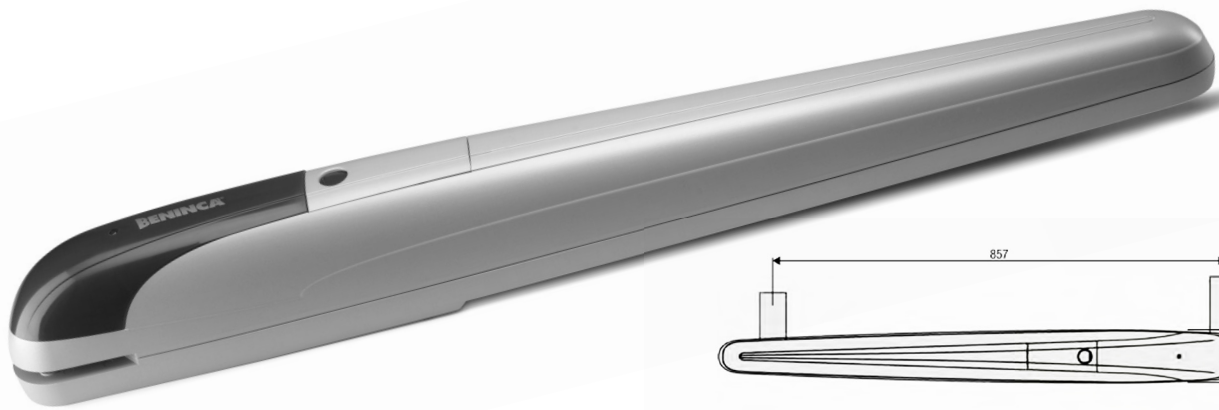
230V and 24V irreversible electromechanical actuator for swing gates with leaves up to 3 m in length.

Maximum leaf length	<b>2,5 m</b>	Maximum power	<b>250 W</b>	Working temperature	<b>-30 ÷ +50 °C</b>
Maximum leaf weight	<b>400 kg</b>	Maximum travel	<b>400 mm</b>	Protection degree	<b>IP 44</b>
Power supply	<b>230V - 50Hz</b>	Operating speed	<b>0,016 m/s</b>	Duty cycle	<b>30%</b>
Idling current	<b>0,8 A</b>	Opening time 0÷ 90°	<b>22 s</b>	Weight	<b>6,5 kg</b>
Full load current	<b>1,2 A</b>	Maximum thrust	<b>2300 N</b>		

Works with:



# BOB50M



## BOB50M - Specifications

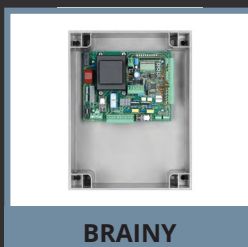
Reliable, quiet, and quick to install geared motor, thanks to its 2 adjustable mechanical stops for opening and closing. Available in the 230 Vac and 24 Vdc versions. Rolled ball screws  $\varnothing$  20 mm. Easy access release from above.

Power supply	<b>230 Vac 50/60 Hz</b>
Motor supply	<b>230 Vac</b>
Max absorbed current	<b>1.4 A</b>
Max Thrust	<b>3500 N</b>
Opening time	<b>26"</b>

Operation cycle	<b>30%</b>
Standard stroke	<b>455 mm</b>
Max stroke	<b>520 mm</b>
Protection level	<b>IP 44</b>

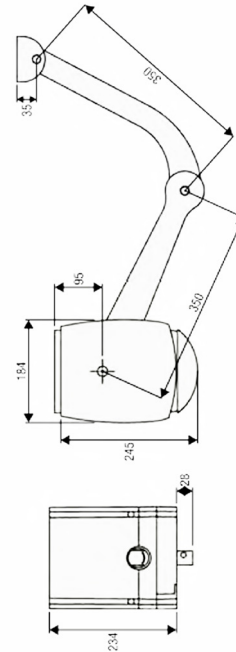
Encoder	<b>NO</b>
Operating temperature	<b>-20°C / +50°C</b>
Leaf max dimension	<b>5.0 m</b>
Weight	<b>11.6 kg</b>

Works with:





# MB24/MBE24



## MB24/MBE24 - Specifications

This motorgear with articulated arm is suitable for residential swing gates automations with large columns. Designed with compact lines and high quality materials to ensure the maximum sturdiness and solidity, the MBE is available in 24Vdc version. This ensures maximum safety and, thanks to the battery pack, it can operate even in case of power failure.

	MB24	MBE24
Power supply	-	230 Vac 50/60 Hz
Motor supply	24 Vac	24 Vac
Max absorbed current	6.2 A	0.76 A
Max Thrust	180 N	180 N
Opening time	10"	10"

	MB24	MBE24
Operation cycle	intensive use	intensive use
Protection level	IP 44	IP 44
Built-in control unit	NO	YES

	MB24	MBE24
Operating temperature	-20°C /+50°C	-20°C /+50°C
Leaf max dimension	2.5 m	2.5 m
Weight	9 kg	10.7 kg

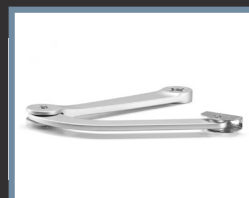
Works with:



**BRAINY24**

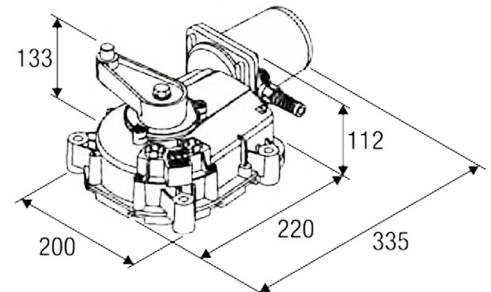
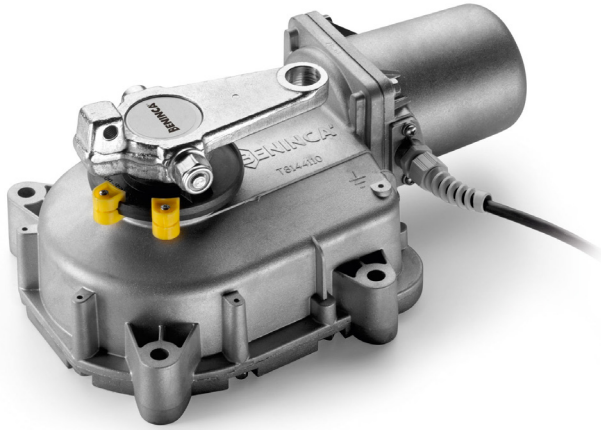


**CITY2+**



**CITY1**

# DU.IT14N



## DU.IT14N - Specifications

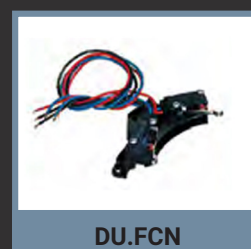
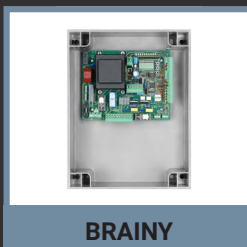
Irreversible electromechanical geared motor available in 230 Vac and 24 Vdc version, with the option of opening to 180°. Full metal mechanics and built-in mechanical stop.

Power supply	<b>230 Vac</b> <b>50/60 Hz</b>
Motor supply	<b>230 Vac</b>
Max absorbed current	<b>1.6 A</b>
Torque	<b>370 N</b>
Opening time	<b>22"</b>

Operation cycle	<b>30%</b>
Protection level	<b>IP67</b>
Encoder	<b>NO</b>

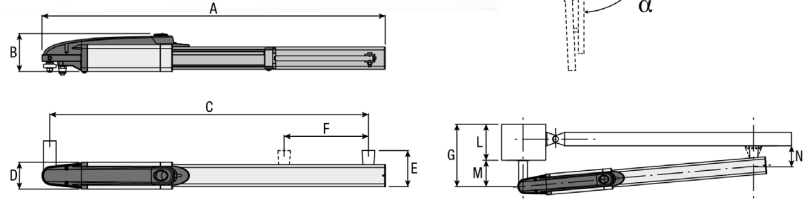
Operating temperature	<b>-20°C /+50°C</b>
Leaf max dimension	<b>3.5 m</b>
Weight	<b>11.6 kg</b>

Works with:





# CAB HD 30AC



Irreversible hydraulic operator for gates up to 3 m with opening and closing blocks.

	A (mm)	B (mm)	C (mm)	D (mm)	E (mm)	F (mm)	$\alpha$	G (mm)	H (mm)	L (mm)	M (mm)	N (mm)	T (s)
HD.35	1177	120	1098	85	110	270	90°	135	135	85	50	75	22
							100°	125	125	75	50	75	20
							110°	115	115	65	50	75	18

## CAB HD 30AC - Specifications

Motor supply	<b>230 Vac 50/60 Hz</b>	Stroke length	<b>270 mm</b>	Operating temperature	<b>-15 °C ÷ + 50 °C</b>
Max absorbed current	<b>1,1 A</b>	Shaft speed	<b>1.3 cm/s</b>	Protection rating	<b>IP55</b>
Absorbed power	<b>250 W</b>	Ram shaft diameter	<b>20 mm</b>	Operating cycle	<b>INTENSIVE USE</b>
Pump flow rate	<b>1 l/min</b>	Hydraulic slow-down	<b>No</b>	Maximum leaf length	<b>3.0 m</b>
Max. oil pressure	<b>25 Bar</b>	Joints	<b>Rear</b>	Maximum leaf weight	<b>450 Kg</b>
Maximum thrust	<b>4000 N</b>	Operating time	<b>250 W</b>	Oil	<b>HYDRO OIL</b>
Capacitor	<b>10 µF</b>	Thermal protection	<b>150 °C</b>		

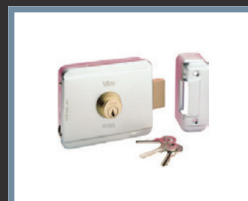
Works with:



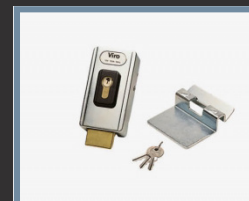
**BRAINY**



**CITY1**



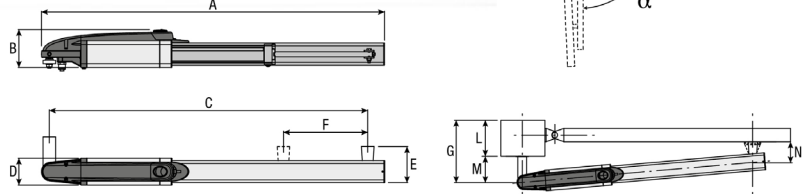
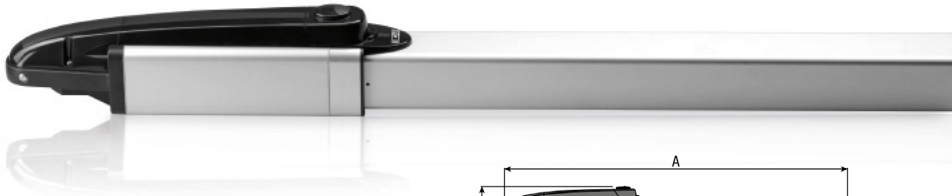
**DU.V90**



**DU.V96**



# CAB HD 50AC



Irreversible hydraulic operator with rear and front joint for gates up to 5 m with opening and closing blocks.

	A (mm)	B (mm)	C (mm)	D (mm)	E (mm)	F (mm)	$\alpha$	G (mm)	H (mm)	L (mm)	M (mm)	N (mm)	T (s)
HD.50	1417	120	1338	85	135	390	90°	195	195	145	50	100	40
							100°	180	180	145	50	100	36
							110°	130	170	120	50	100	30

## CAB HD 50AC - Specifications

Motor supply	<b>230 Vac 50/60 Hz</b>	Stroke length	<b>390 mm</b>	Operating temperature	<b>-20 °C ÷ + 50 °C</b>
Max absorbed current	<b>1,1 A</b>	Shaft speed	<b>1 cm/s</b>	Protection rating	<b>IP55</b>
Absorbed power	<b>250 W</b>	Ram shaft diameter	<b>20 mm</b>	Operating cycle	<b>INTENSIVE USE</b>
Pump flow rate	<b>0.75 l/min</b>	Hydraulic slow-down	<b>In closing</b>	Maximum leaf length	<b>5.0 m</b>
Max. oil pressure	<b>33 bar</b>	Hydraulic slow-down in closing phase	<b>IP 55</b>	Maximum leaf weight	<b>500 Kg</b>
Maximum thrust	<b>5000 N</b>	Joints	<b>Front and rear</b>	Oil	<b>BIO OIL</b>
Capacitor	<b>10 µF</b>	Thermal protection	<b>150 °C</b>		

Works with:

