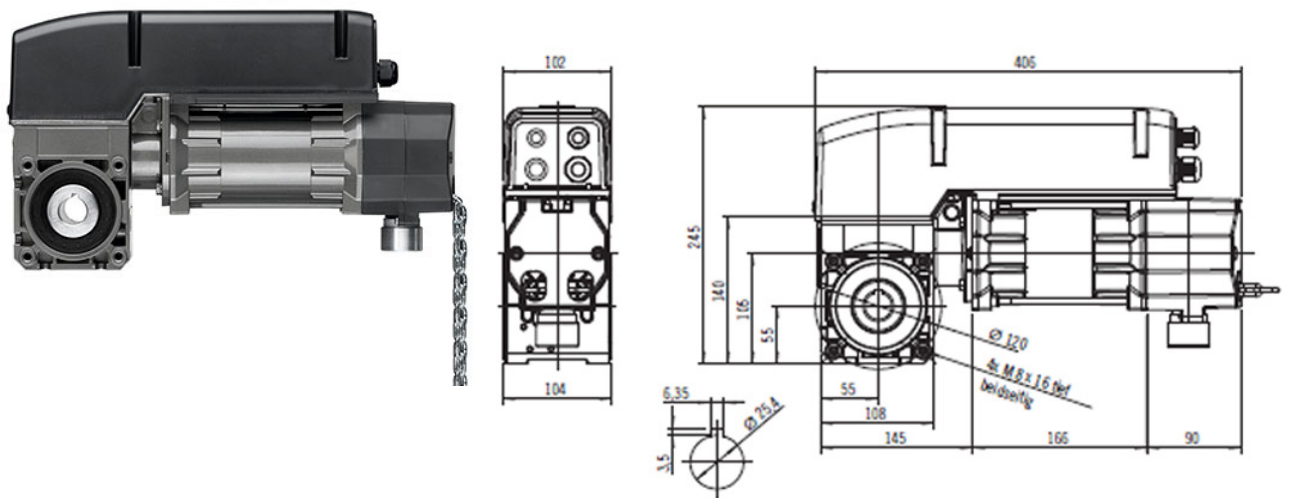


Πολύσπαστη Πόρτα

Βιομηχανική

MFZ STAC 1-10-24 KE

with AS100 CP



MFZ STAC 1-10-24 KE with AS100 - Specifications

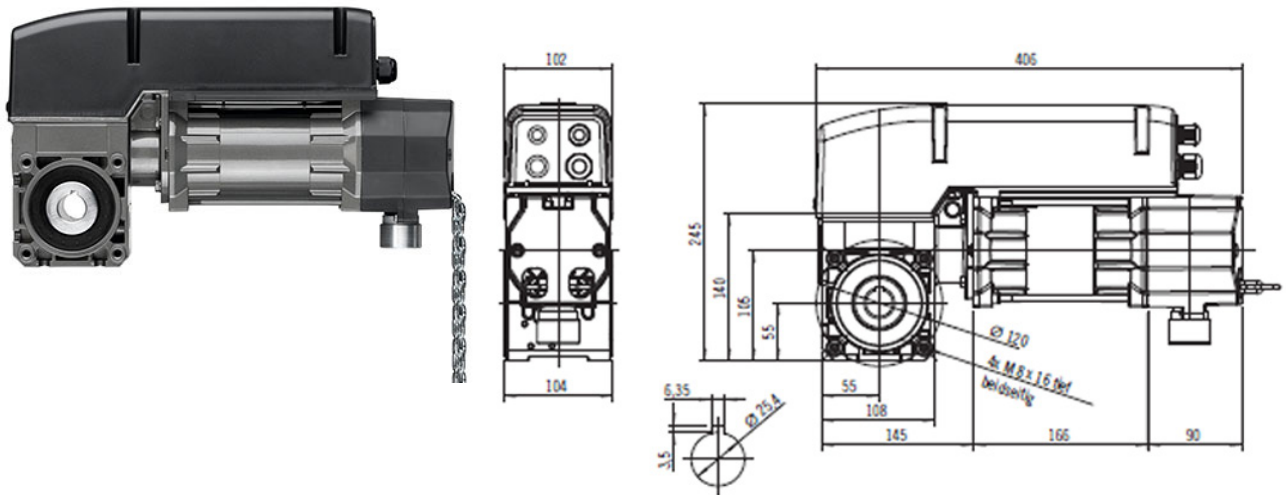
driving torque	100 Nm
static holding torque	600 Nm
driving motor speed	24 min⁻¹

motor output	0,37 kW
operating voltage	400V / 3~
mains frequency	50 Hz
control voltage	24 V
motor current rating	2,0 A
* max. cycles per hour	20
supply cable, on site	5x1,5 mm²
fuse protection, on site	10,0 A
protection grade	IP 54

temperature range	-20 / +60 °C
continuous sound pressure level	< 70 dB(A)
individual weight	15 kg
maximum output revolutions	20
Ø sleeve shaft	Ø 25,4 mm

MFZ STAC 1-10-24 KE

with CS255 CP



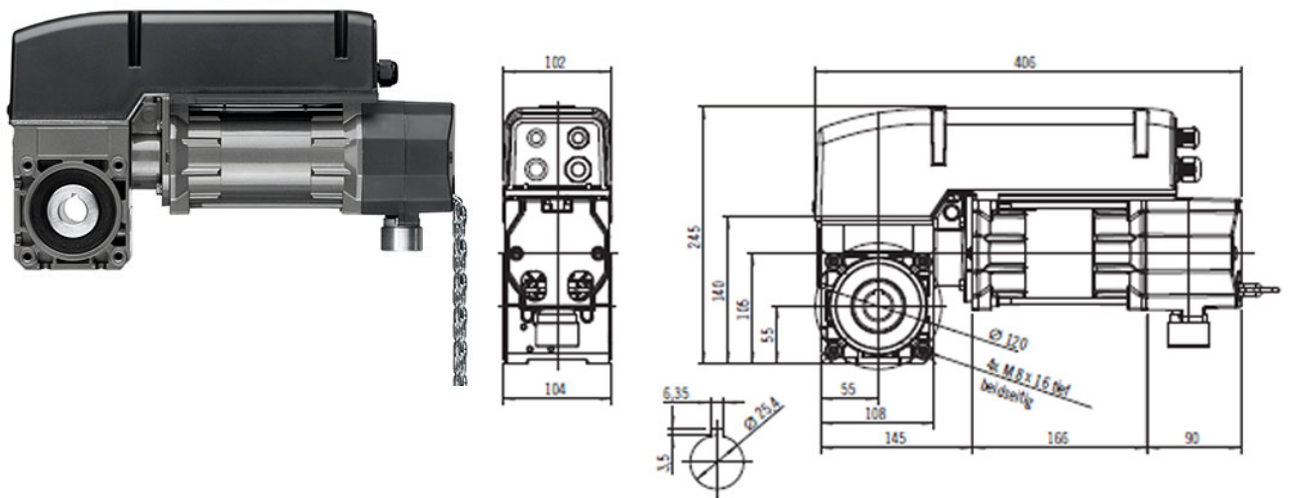
MFZ STAC 1-10-24 KE with CS255- Specifications

driving torque	100 Nm
static holding torque	600 Nm
driving motor speed	24 min⁻¹

motor output	0,37 kW
operating voltage	400V / 3~
mains frequency	50 Hz
control voltage	24 V
motor current rating	2,0 A
* max. cycles per hour	20
supply cable, on site	5x1,5 mm²
fuse protection, on site	10,0 A
protection grade	IP 54

temperature range	-20 / +60 °C
continuous sound pressure level	< 70 dB(A)
individual weight	15 kg
maximum output revolutions	20
Ø sleeve shaft	Ø 25,4 mm

MFZ STAWC 1-7-19 KE



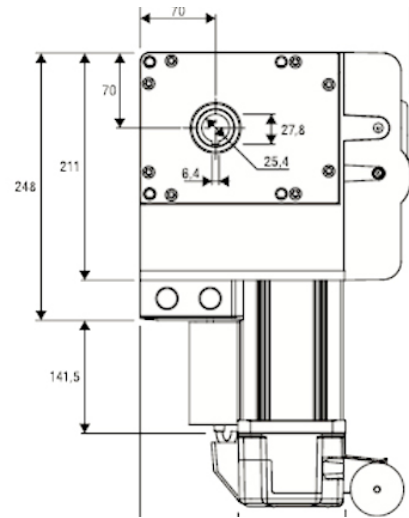
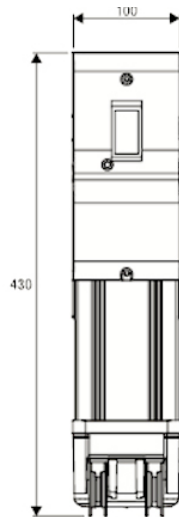
MFZ STAWC 1-7-19 KE - Specifications

driving torque	70 Nm
static holding torque	600 Nm
driving motor speed	19 min⁻¹

motor output	0,37 kW
operating voltage	230V / 1~
mains frequency	50 Hz
control voltage	24 V
motor current rating	3,6 A
* max. cycles per hour	8
supply cable, on site	5x1,5 mm²
fuse protection, on site	10,0 A
protection grade	IP 54

temperature range	-20 / +60 °C
continuous sound pressure level	< 70 dB(A)
individual weight	23 kg
maximum output revolutions	20
Ø sleeve shaft	Ø 25,4 mm

BEBNINCA VN.M20



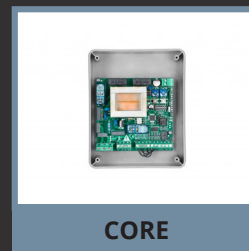
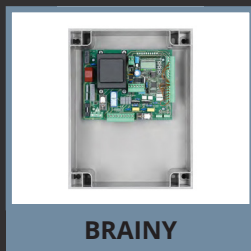
BENINCA VN.M20 - Specifications

Motor Supply	230 Vac (50-60Hz)
Max absorbed current	3.3 A
Max torque	130 Nm
Maximum output rotations	18
Output speed	24 r.p.m.

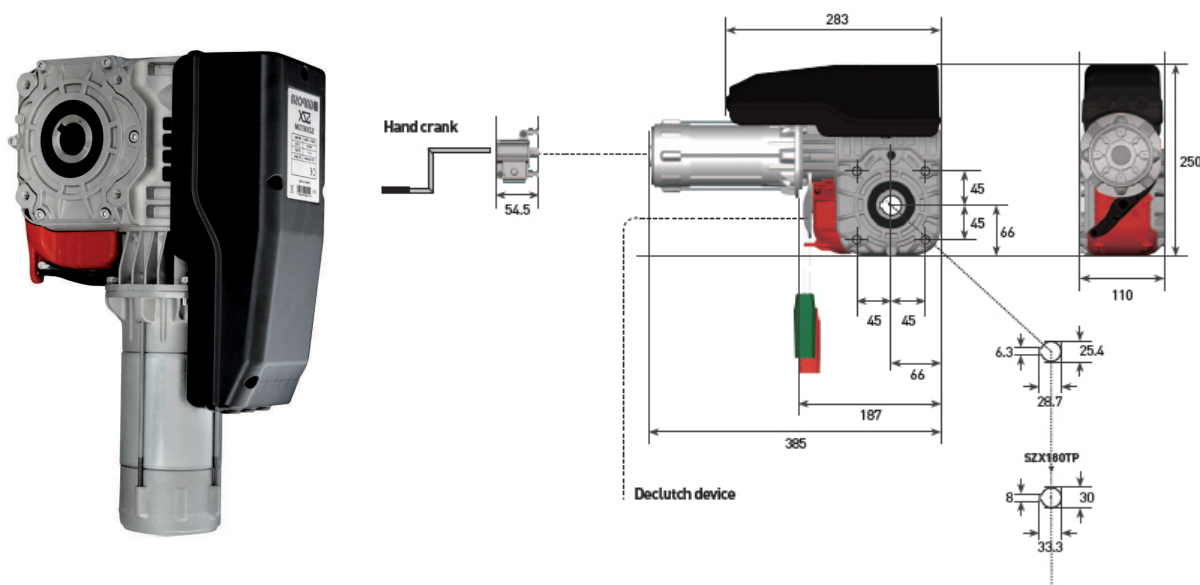
Shaft hole	1" (25.4mm)
Limit switch red. ratio	1/20
Operation cycle	30%
Protection level	IP40

Operating temperature	-20 / +50 °C
Max door surface	35 m²/max
Lubrication	OIL
Weight	18.5 kg

Works with:



GAPOSA SXZ90TCM



GAPOSA SXZ90TCM - Specifications

Torque	90 Nm	Holding Torque	450 Nm	Amperage	2,20 A
Output Speed	21 min⁻¹	Power	0,80 kW	Max cycles per hour	20
Hollow Shaft	25,4 mm	Power Supply	400 Vac	Limit Switch range	18
Max Door Weight	400 kg	Frequency	50 Hz	Protection Rate	IP 54

Works with:



QC3PC6

QC03+

QC300

QC500



