

Ρολό Βιομηχανικό

ELSAMEC TAURUS 7M



This series of motors was born as a response on the growing demand of side-motors for unbalanced rolling shutters of big weight and dimensions. The main characteristics and advantages of the motor Taurus are the smaller area occupied by the motor in the system and the simplicity of its installation and maintenance. The system Taurus is reliable, secure and versatile thanks to a complete range of the accessories available. Another peculiarity and advantage of the system is the presence of an excellent emergency mechanism (patented) which is always engaged, but does not interfere with the normal work of the motor.

ELSAMEC TAURUS 7M - Specifications

Power	650 W	R.P.M.	47,7	% Services	60 S
Amperage	2,5 A	R.P.M. RAP 1:5	9,5	IP Rating	IP 54
Voltage	230 V	R.P.M. RAP 1:7	6,7	Insulation Class	F
Frequency	50 Hz	Displacement power factor	0,65	Torque	70 Nm

Works with:



REDUCTION 1:5



REDUCTION 1:7



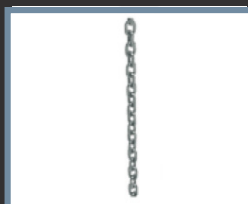
CHAIN HOIST



HAND CRANK



GAPOSA PCM7A



CHAIN

ELSAMEC TAURUS 12



This series of motors was born as a response on the growing demand of side-motors for unbalanced rolling shutters of big weight and dimensions. The main characteristics and advantages of the motor Taurus are the smaller area occupied by the motor in the system and the simplicity of its installation and maintenance. The system Taurus is reliable, secure and versatile thanks to a complete range of the accessories available. Another peculiarity and advantage of the system is the presence of an excellent emergency mechanism (patented) which is always engaged, but does not interfere with the normal work of the motor.

ELSAMEC TAURUS 12 - Specifications

Power	1100 W	R.P.M.	47,7	% Services	25 S
Amperage	3,6/2 A	R.P.M. RAP 1:5	9,5	IP Rating	IP 54
Voltage	230/400 ~3 V	R.P.M. RAP 1:7	6,7	Insulation Class	F
Frequency	50 Hz	Displacement power factor	0,77	Torque	120 Nm

Works with:



REDUCTION 1:5



REDUCTION 1:7



CHAIN HOIST



HAND CRANK



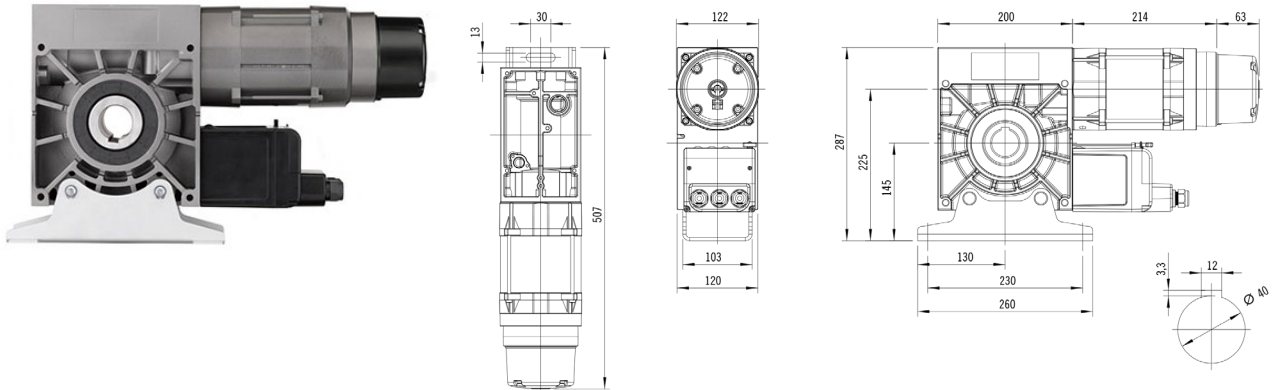
GAPOSA PCM7A



CHAIN

MDF 30-42-12 KU MEC

with CS 300 ME



The MDF series of MFZ slip-on drives are characterised by their compact design, facilitating the wide range of installation possibilities. The maintenance-free safety catch device is already integrated and therefore offers the safest option for the gate. With a complete series from 100 to 2000 Nm, MFZ provides the right solution in this category for every on-site situation. In addition, special requirements for individual clients can be quickly and flexibly achieved at any time.

MDF 30-42-12 KU MEC - Specifications

driving torque	420 Nm
maximum safety catch torque	2680 Nm
driving motor speed	12 min⁻¹
certificate no. of safety catch system	24042140-1

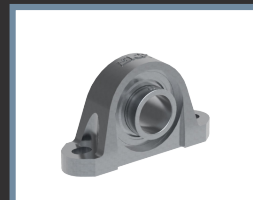
motor output	1,1 kW
operating voltage	400V / 3~
mains frequency	50 Hz
control voltage	24 V
motor current rating	5,1 A
* max. cycles per hour	20
supply cable, on site	5x1,5 mm²
fuse protection, on site	10,0 A
protection grade	IP 54

temperature range	-20 / +60 °C
continuous sound pressure level	< 70 dB(A)
individual weight	27 kg
maximum output revolutions	18
Ø sleeve shaft	40 mm

Works with:



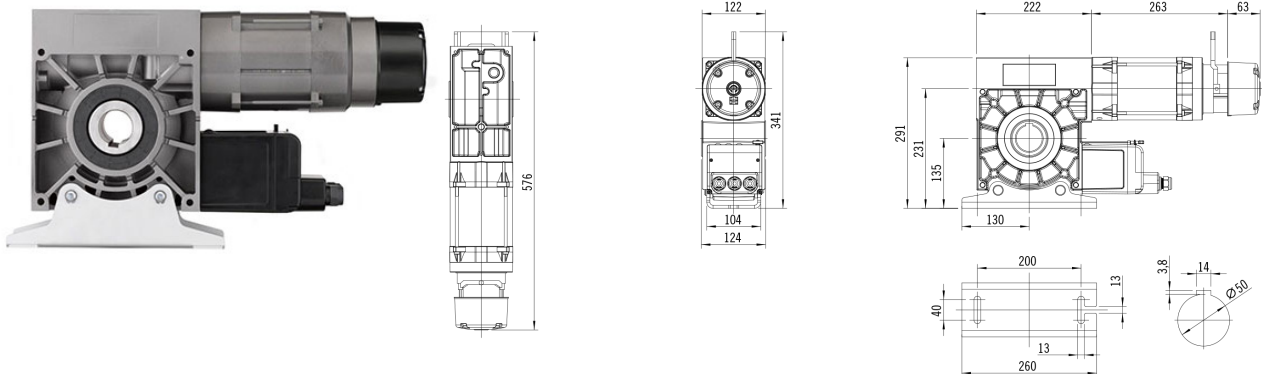
CHAIN HOIST



COUNTER BEARING Ø40

MDF 30-50-12 KU MEC

with CS 300 ME



The MDF series of MFZ slip-on drives are characterised by their compact design, facilitating the wide range of installation possibilities. The maintenance-free safety catch device is already integrated and therefore offers the safest option for the gate. With a complete series from 100 to 2000 Nm, MFZ provides the right solution in this category for every on-site situation. In addition, special requirements for individual clients can be quickly and flexibly achieved at any time.

MDF 30-50-12 KU MEC - Specifications

driving torque	500 Nm
maximum safety catch torque	2680 Nm
driving motor speed	12 min⁻¹
certificate no. of safety catch system	24042140-1

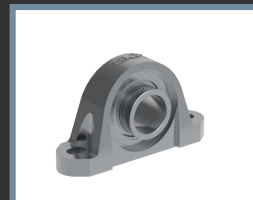
motor output	1,1 kW
operating voltage	400V / 3~
mains frequency	50 Hz
control voltage	24 V
motor current rating	5,7 A
* max. cycles per hour	20
supply cable, on site	5x1,5 mm²
fuse protection, on site	10,0 A
protection grade	IP 54

temperature range	-20 / +60 °C
continuous sound pressure level	< 70 dB(A)
individual weight	29 kg
maximum output revolutions	18
Ø sleeve shaft	40 mm

Works with:



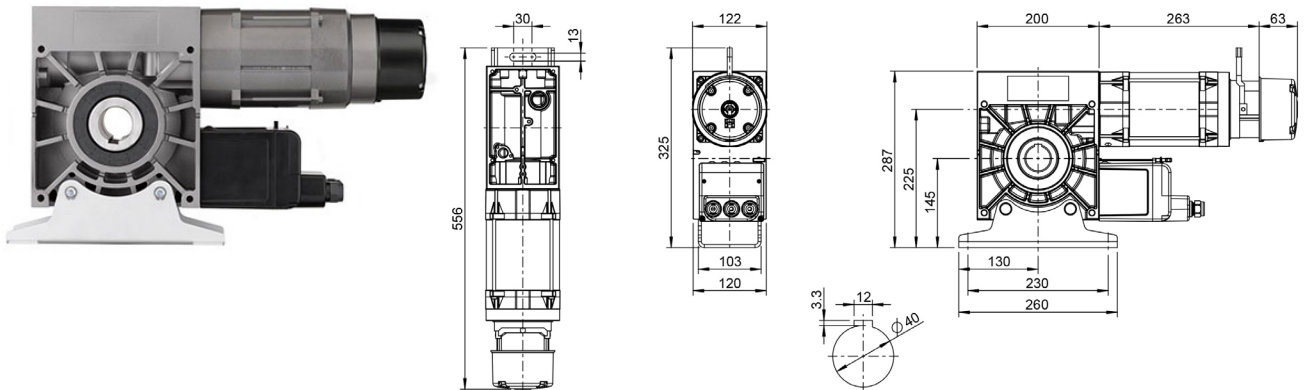
CHAIN HOIST



COUNTER BEARING Ø50

ERA 30-75-10 KU MEC

with CS 300 ME



The MDF series of MFZ slip-on drives are characterised by their compact design, facilitating the wide range of installation possibilities. The maintenance-free safety catch device is already integrated and therefore offers the safest option for the gate. With a complete series from 100 to 2000 Nm, MFZ provides the right solution in this category for every on-site situation. In addition, special requirements for individual clients can be quickly and flexibly achieved at any time.

ERA 30-75-10 KU MEC - Specifications

driving torque	750 Nm
driving motor speed	10 min⁻¹
motor output	1,5 kW
operating voltage	400V / 3~ 50 Hz

control voltage	24 V
motor current rating	7,2 A
* max. cycles per hour	6
protection grade	IP 54
Ø sleeve shaft	40

Works with:

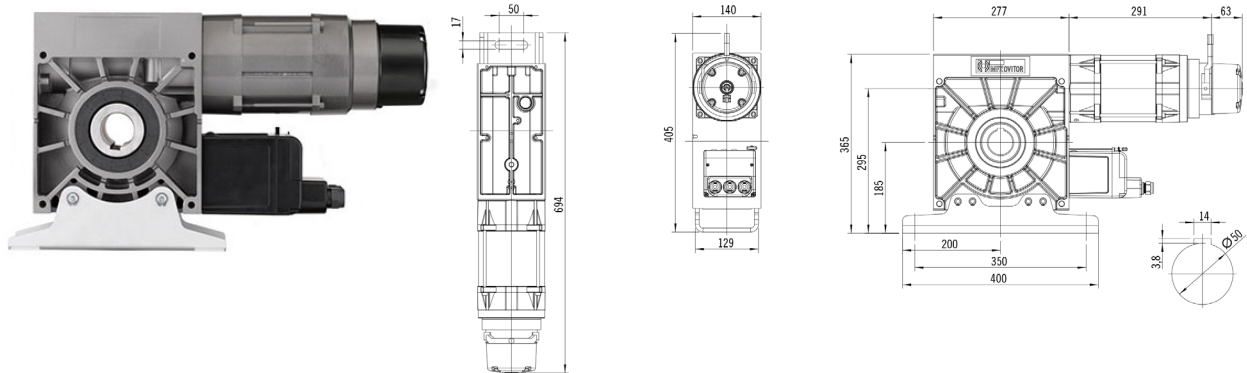


CHAIN HOIST



COUNTER BEARING Ø40

MDF 60-100-9 KU MEC



The MDF series of MFZ slip-on drives are characterised by their compact design, facilitating the wide range of installation possibilities. The maintenance-free safety catch device is already integrated and therefore offers the safest option for the gate. With a complete series from 100 to 2000 Nm, MFZ provides the right solution in this category for every on-site situation. In addition, special requirements for individual clients can be quickly and flexibly achieved at any time.

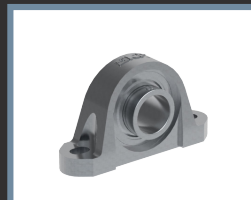
MDF 60-100-9 KU MEC - Specifications

driving torque	1000 Nm	motor output	1,5 kW	temperature range	-20 / +60 °C
maximum safety catch torque	3974 Nm	operating voltage	400V / 3~	continuous sound pressure level	< 70 dB(A)
driving motor speed	9 min⁻¹	mains frequency	50 Hz	individual weight	72 kg
certificate no. of safety catch system	11-003601-PRO1	control voltage	24 V	maximum output revolutions	36
		motor current rating	6,1 A	Ø sleeve shaft	50 mm
		* max. cycles per hour	20		
		supply cable, on site	5x1,5 mm²		
		fuse protection, on site	10,0 A		
		protection grade	IP 54		

Works with:

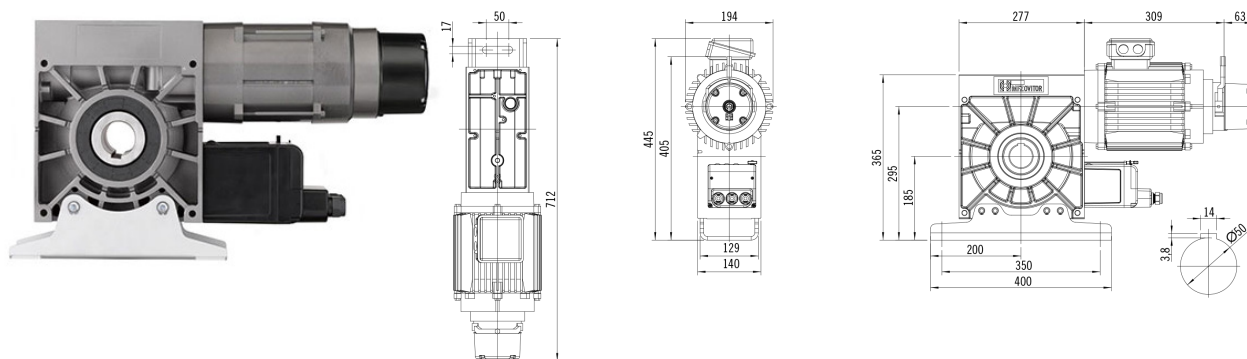


CHAIN HOIST



COUNTER BEARING Ø50

MDF 60-140-9 KU MEC



The MDF series of MFZ slip-on drives are characterised by their compact design, facilitating the wide range of installation possibilities. The maintenance-free safety catch device is already integrated and therefore offers the safest option for the gate. With a complete series from 100 to 2000 Nm, MFZ provides the right solution in this category for every on-site situation. In addition, special requirements for individual clients can be quickly and flexibly achieved at any time.

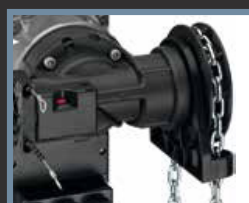
MDF 60-140-9 KU MEC - Specifications

driving torque	1400 Nm
maximum safety catch torque	3974 Nm
driving motor speed	9 min⁻¹
certificate no. of safety catch system	11-003601-PRO1

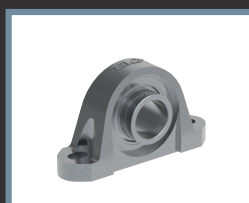
motor output	2,0 kW
operating voltage	400V / 3~
mains frequency	50 Hz
control voltage	24 V
motor current rating	6,7 A
* max. cycles per hour	20
supply cable, on site	5x1,5 mm²
fuse protection, on site	10,0 A
protection grade	IP 54

temperature range	-20 / +60 °C
continuous sound pressure level	< 70 dB(A)
individual weight	75 kg
maximum output revolutions	36
Ø sleeve shaft	50 mm

Works with:

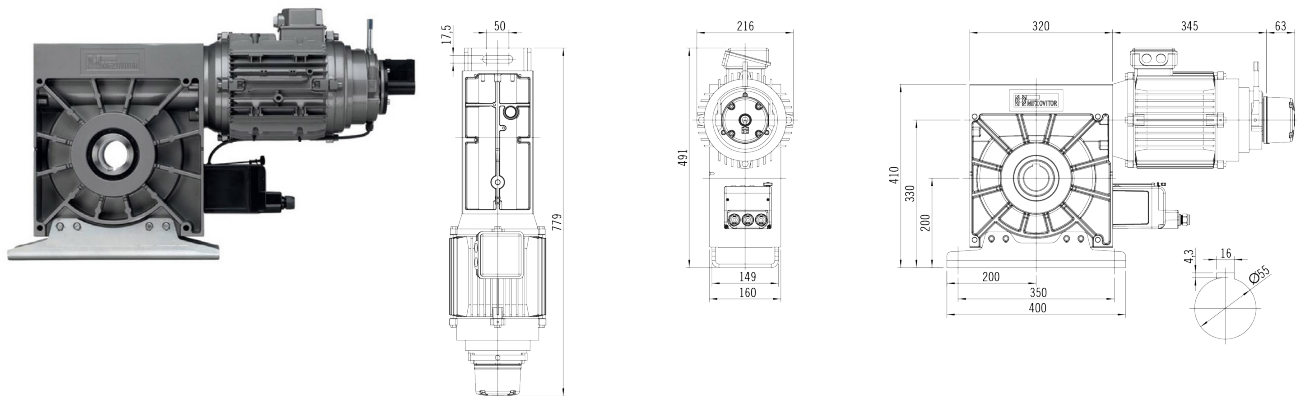


CHAIN HOIST



COUNTER BEARING Ø50

MDF 70-200-8 KU MEC



The MDF series of MFZ slip-on drives are characterised by their compact design, facilitating the wide range of installation possibilities. The maintenance-free safety catch device is already integrated and therefore offers the safest option for the gate. With a complete series from 100 to 2000 Nm, MFZ provides the right solution in this category for every on-site situation. In addition, special requirements for individual clients can be quickly and flexibly achieved at any time.

MDF 70-200-8 KU MEC - Specifications

driving torque	2000 Nm
maximum safety catch torque	7738 Nm
driving motor speed	8 min⁻¹
certificate no. of safety catch system	10-000808-PRO3

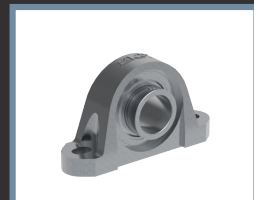
motor output	2,5 kW
operating voltage	400V / 3~
mains frequency	50 Hz
control voltage	24 V
motor current rating	8,1 A
* max. cycles per hour	20
supply cable, on site	5x1,5 mm²
fuse protection, on site	10,0 A
protection grade	IP 54

temperature range	-20 / +60 °C
continuous sound pressure level	< 70 dB(A)
individual weight	81 kg
maximum output revolutions	36
Ø sleeve shaft	55 mm

Works with:

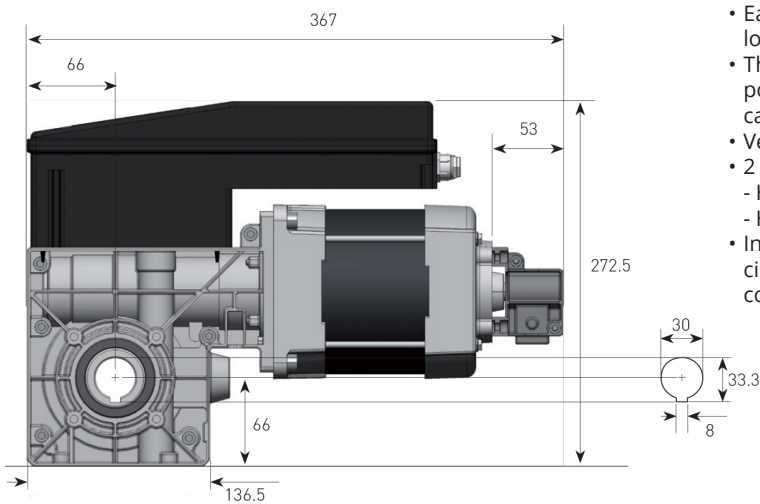


CHAIN HOIST



COUNTER BEARING Ø55

GAPOSA LP250T



- Each component can hold dynamic loads over the nominal torque.
- The high motor safety factor assures powerful performances and a lifting capacity higher than the nominal one.
- Very low dB level.
- 2 override options:
 - Hand chain
 - Handle.
- Integrated safety brake and double circuit limit switch: all the safeties to comply with the EN13241-1 standards.

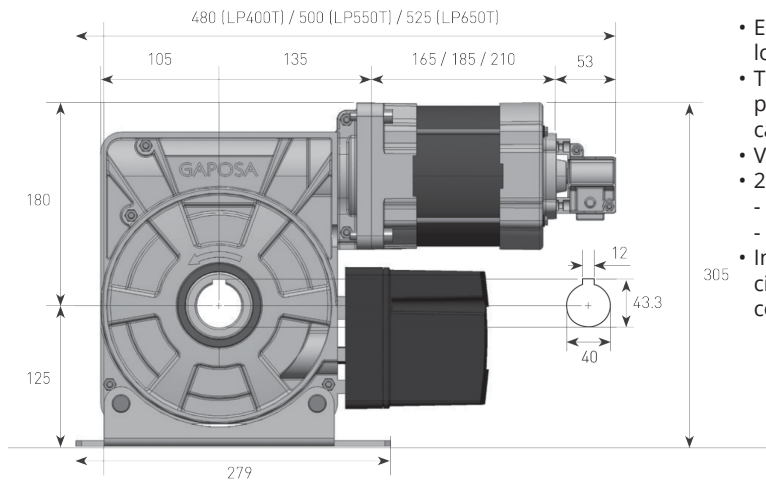
GAPOSA LP250T - Specifications

Power Supply	380 V	Power	0,75 kW	Temperature	-5°C/40°C
Frequency	50 Hz	Absorbion	2.1 A	Noise	<70 dB
Torque	250 Nm	Duty Rating	S3-60%	Protaction Rate	IP 54
Output Speed	12 min⁻¹	Limit Switch max turns	10	Weight	16 kg

Works with:



GAPOSA LP650T



- Each component can hold dynamic loads over the nominal torque.
- The high motor safety factor assures powerful performances and a lifting capacity higher than the nominal one.
- Very low dB level.
- 2 override options:
 - Hand chain
 - Handle.
- Integrated safety brake and double circuit limit switch: all the safeties to comply with the EN13241-1 standards.

GAPOSA LP650T - Specifications

Power Supply	380 V	Power	1,8 kW	Temperature	-5°C/40°C
Frequency	50 Hz	Absorbition	4,5 A	Noise	<70 dB
Torque	650 Nm	Duty Rating	S3-50%	Protaction Rate	IP 54
Output Speed	11 min⁻¹	Limit Switch max turns	10	Weight	32 kg

Works with:



QC3PC6

QC03+

QC300

QC500

